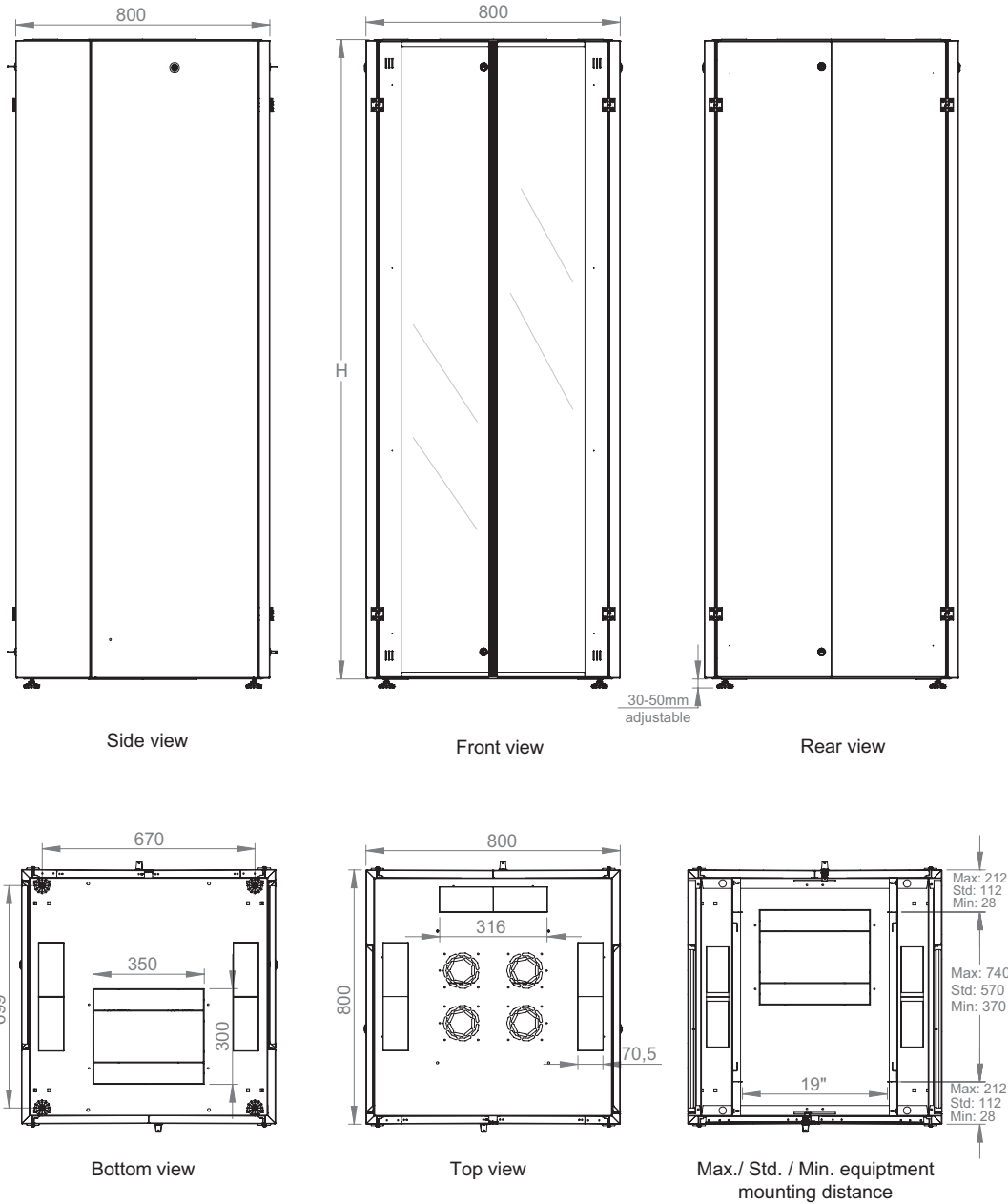


# 19" HYPERline Series

## Free Standing Cabinets

**Width: 800 mm**  
**Depth: 800 mm**



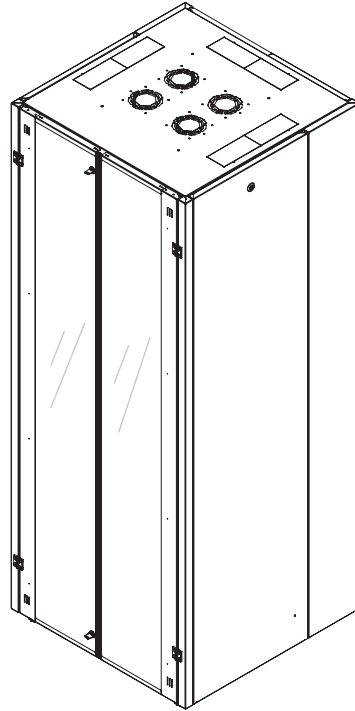
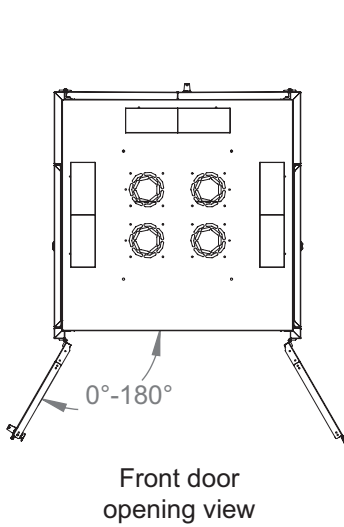
Part Definition	Material Quality	Material Thickness (mm)	Shipment Configuration
Top Bottom Case	DIN EN 10130-DC-01-6112 CRS	1,2 mm	2
Glass Door	EN 12150-1 Tempered Secure Glass	4 mm	2
19" Equipment Mounting Rails	DIN EN 10130-DC-01-6112 CRS	1,5 mm	4
Rear Doors	DIN EN 10130-DC-01-6112 CRS	1 mm	2
Side Panels	DIN EN 10130-DC-01-6112 CRS	0,8 mm	2
Side Horizontal Support Bars	DIN EN 10130-DC-01-6112 CRS	1,2 mm	2
Corner Profiles (Cabinet Frame and Long Profiles On Sides )	DIN EN 10130-DC-01-6112 CRS	1,2 mm	2

Metal door (A) and perforated metal door (C) options with 1,2 mm material thickness.  
4 mm thick EN 12150-1 compatible tempered glass door option (B) with 1,2 mm thick metal side frame.

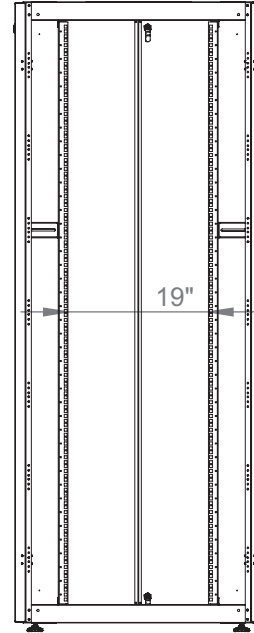
# 19" HYPERline Series

## Free Standing Cabinets

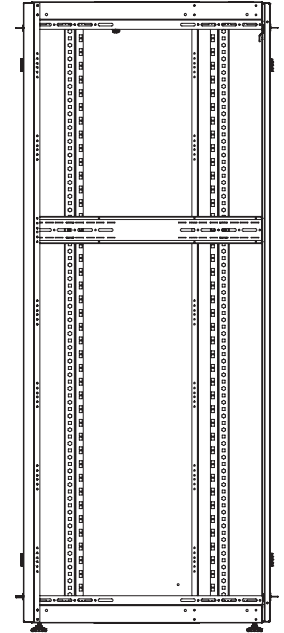
**Width: 800 mm**  
**Depth: 800 mm**



Isometric view



Front internal view



Side internal view

### HYPERline Series - Free Standing 19" Cabinets W800 mm x D800 mm

Product Number	Series	Description	Dimensions WxDxH	QTY in Package	*H mm, overall without feet and/or castor, plinth
LN-HL26U8080-CC-(A/B/C)	HYPERline Series	26U 19" Free Standing Cabinets W=800 mm D=800 mm	800x800x1299	1	1269
LN-HL32U8080-CC-(A/B/C)	HYPERline Series	32U 19" Free Standing Cabinets W=800 mm D=800 mm	800x800x1566	1	1536
LN-HL36U8080-CC-(A/B/C)	HYPERline Series	36U 19" Free Standing Cabinets W=800 mm D=800 mm	800x800x1744	1	1714
LN-HL42U8080-CC-(A/B/C)	HYPERline Series	42U 19" Free Standing Cabinets W=800 mm D=800 mm	800x800x2010	1	1980
LN-HL47U8080-CC-(A/B/C)	HYPERline Series	47U 19" Free Standing Cabinets W=800 mm D=800 mm	800x800x2232	1	2202
LN-KDG-ORG-26EU-CC	Accessory	26U Metal Cable Management panel set left/right	97x97x1173	1	1143
LN-KDG-ORG-32EU-CC	Accessory	32U Metal Cable Management panel set left/right	97x97x1440	1	1410
LN-KDG-ORG-36EU-CC	Accessory	36U Metal Cable Management panel set left/right	97x97x1620	1	1590
LN-KDG-ORG-42EU-CC	Accessory	42U Metal Cable Management panel set left/right	97x97x1885	1	1855
LN-KDG-ORG-47EU-CC	Accessory	47U Metal Cable Management panel set left/right	97x97x2109	1	2079

### General Informations

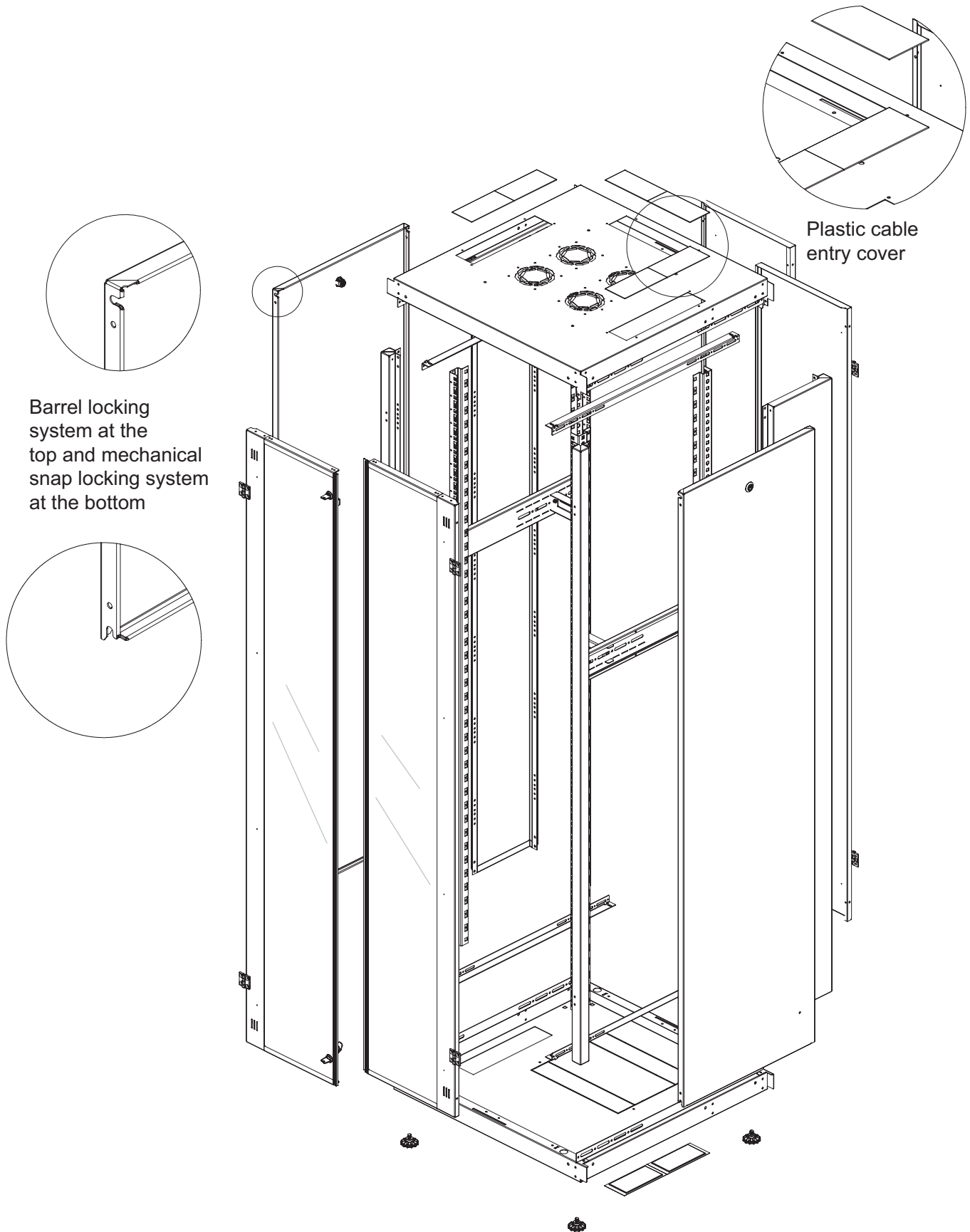
Flat pack / Assembled delivery	HYPERline Series designed for minimized disassembled flat-packed shipments for superior logistics advantages and cost savings. Lande sales representatives should be informed in case the order is assembled, otherwise the order would be sent as flat - packed.
Color selection	CC= Color Code please define while ordering the color code as LG Light Grey RAL 7035, BL Black RAL 9005.

# 19" HYPERline Series

## Free Standing Cabinets

### Exploded View

Width: 800 mm  
Depth: 800 mm

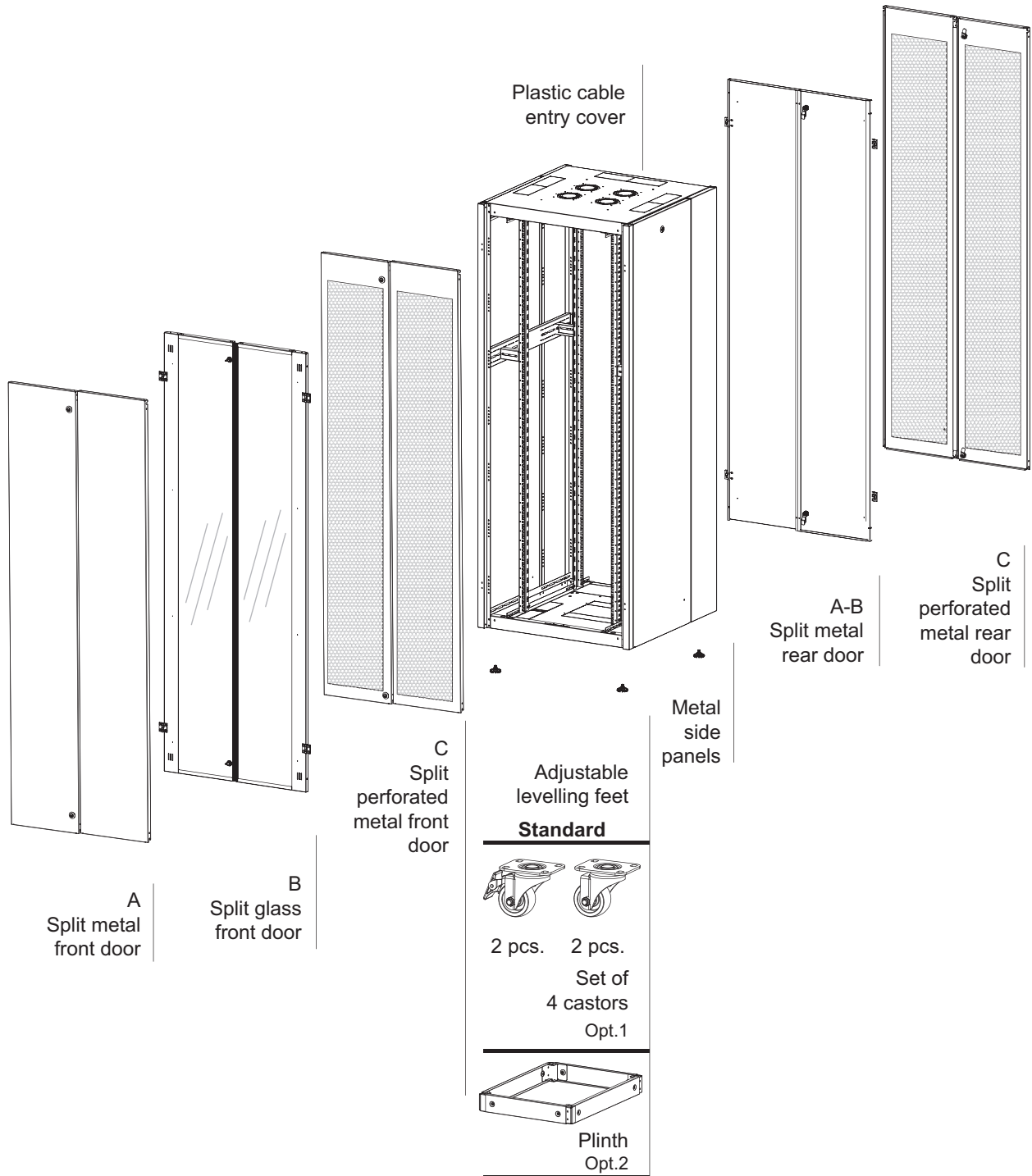


# 19" HYPERline Series

## Free Standing Cabinets

### Exploded View Options

**Width: 800 mm**  
**Depth: 800 mm**



#### A/B/C Configurations in Product Number

Metal door - A configuration for W800 mm	Split metal front and rear doors with external hinge mechanism and double quarter turn locks.
Glass door - B configuration for W800 mm	Split glass front doors with external hinge mechanism and double quarter turn locks. Split metal rear doors with external hinge mechanism and double quarter turn locks.
Perforated door - C configuration for W800 mm	Split perforated metal front and rear door with external hinge mechanism and double quarter turn locks.